

## **Included Parts:**

A: (1) STAYBOW

D: (1) ROTATION LOCK

G: (1) BRACKET SCREW

J: (1) WRENCH

B: (1) ANGLE BRACKET

E: (1) TRAVERSE LOCK

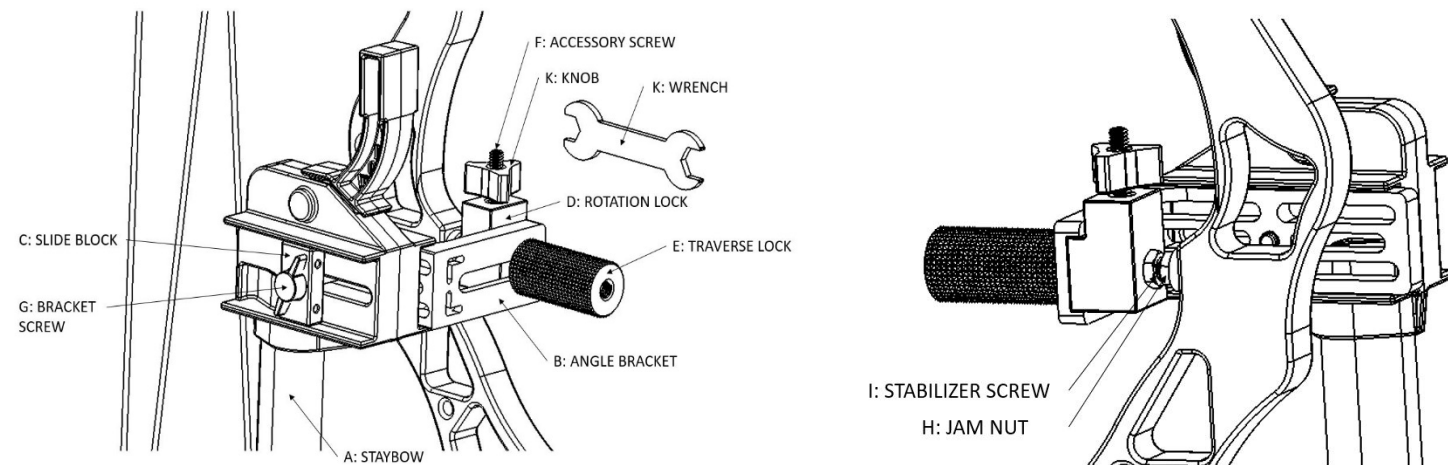
H: (2) JAM NUT

K: (1) KNOB

C: (1) SLIDE BLOCK

F: (1) ACCESSORY SCREW

I: (1) STABILIZER SCREW



## **Assembly Instructions: Compound Bow**

Step 1: Screw the preassembled (D) ROTATION LOCK, (I) STABILIZER SCREW and (H) JAM NUTs into your stabilizer mount until the (I) STABILIZER SCREW bottoms out.

Step 2: For right-handed users, position the (B) ANGLE BRACKET in the pocket on the left side of the (A) STAYBOW upper housing, with the bracket facing out to the left. For left-handed users, position the (B) ANGLE BRACKET in the pocket on the right side of the (A) STAYBOW upper housing, with the bracket facing out to the right.

Step 3: Insert the (G) BRACKET SCREW through the (C) SLIDE BLOCK, through the slot in the (A) STAYBOW upper housing and loosely thread it into the tap on the (B) ANGLE BRACKET.

Step 4: Position the assembled (A) STAYBOW and (B) ANGLE BRACKET onto the (D) ROTATION LOCK by sliding the (D) ROTATION LOCK into the groove of the (B) ANGLE BRACKET.

Step 5: Loosely thread the (E) TRAVERSE LOCK into the (D) ROTATION LOCK.

## **Adjustments: Compound Bow**

Step 1: Ensure your bow and the (A) STAYBOW are parallel to each other and tighten the (H) JAM NUT securely against your stabilizer mount.

Step 2: While holding your bow in the normal firing position (no need to draw your bow) pull the (A) STAYBOW trigger to allow the leg to fall to the ground. Release the trigger to allow the leg to lock into position.

Step 3: Position the trigger so your fingers comfortably reach, by sliding the (D) ROTATION LOCK left or right in the (B) ANGLE BRACKET and sliding the (B) ANGLE BRACKET forward or back in the (A) STAYBOW upper housing before tightening the (E) TRAVERSE LOCK and (G) BRACKET SCREW securely.

## **Assembly Instructions: Accessories (Camera, Gun Rest, Lighting, Speaker, etc.) (Not included)**

- Step 1: Position the (B) ANGLE BRACKET in the pocket on either side of the (A) STAYBOW upper housing.
- Step 2: Insert the (G) BRACKET SCREW through the (C) SLIDE BLOCK, through the slot in the (A) STAYBOW upper housing and thread it into the tap on the (B) ANGLE BRACKET. (If attaching (B) ANGLE BRACKET on both sides of the upper housing for multiple attachments, insert the (G) BRACKET SCREW through the middle cavity of the (B) ANGLE BRACKET and thread it into the tap on the opposite (A) ANGLE BRACKET.)
- Step 3: Position the assembled (A) STAYBOW and (B) ANGLE BRACKET onto the (D) ROTATION LOCK by sliding the (D) ROTATION LOCK into the groove of the (B) ANGLE BRACKET.
- Step 4: Thread the (E) TRAVERSE LOCK into the (D) ROTATION LOCK.
- Step 5: Thread (F) ACCESSORY SCREW into the tap on the (D) ROTATION LOCK until it bottoms out.
- Step 6: Thread (K) KNOB onto the (F) ACCESSORY SCREW.
- Step 7: Thread desired accessory onto the (F) ACCESSORY SCREW and tighten using the (K) KNOB.

### **90 Day Limited Warranty**

The StayBow product is warranted to the original purchaser to be free from defects in material or workmanship for a period of ninety days from the date of the original purchase.

This warranty does not cover defects or damage due to improper installation, alteration, accident or any other even beyond the control of the manufacturer. Defects or damage resulting from misuse, abuse or negligence will void this warranty. This warranty does not cover scratching or damage that may result normal usage.

This warranty is nontransferable and is expressly limited to the repair or replacement of the defective product. During the warranty period, RECOR Outdoors shall repair or replace defective parts at no cost to the purchaser. Shipping charges and insurance are not covered and are the responsibility of the purchaser.

RECOR Outdoors reserves the right to make substitutions to warranty claims if parts are unavailable or obsolete.

RECOR Outdoors shall not be liable for loss of use of the product or other consequential or incidental costs, expenses or damages incurred by the consumer of any other use. The user assumes all risk of injury resulting from the use of this product.

Neither RECOR Outdoors nor any of its representatives assumes any other liability in connection with this product.

**ALL warranty claims must be made through RECOR Outdoors LLC. A purchase receipt or other proof of date of purchase will be required to process all warranty claims. Please provide: Name, number, email, address, date of purchase and reason for return or repair.**

For Further Warranty information or inquiries, please email: [staybow.info@gmail.com](mailto:staybow.info@gmail.com)

### **Standard Return for Credit**

Products eligible for return:

- New-in-box, unused products purchased directly by you from RECOR Outdoors LLC.
- All product returns must be made within 30 days of the purchase date.
- All original packaging and accessories, including the retail box originally included with the product must be returned.
- Products not eligible for return:
  1. Any product not purchased from RECOR Outdoors LLC
  2. Any product that is returned without all original packaging and accessories, including the retail box and all other items originally included with the product.
- RECOR Outdoors cannot accept returns on used or discontinued products.
- The customer assumes all shipping costs associated with the return.
- A standard restocking fee of 25% will apply.

**THANK YOU FOR YOUR PURCHASE. WE APPRECIATE YOUR BUSINESS.**